

NOTE:

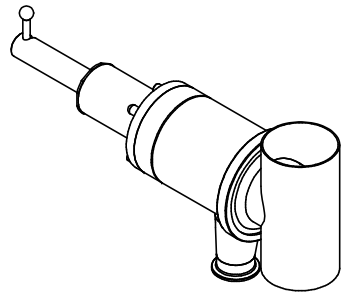
100MM SAMPLER SHOWS
86MM STROKE



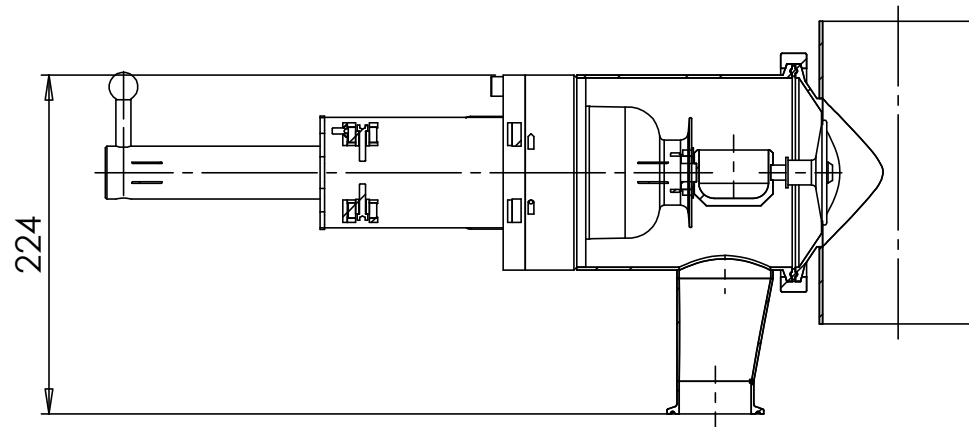
QAQC LAB

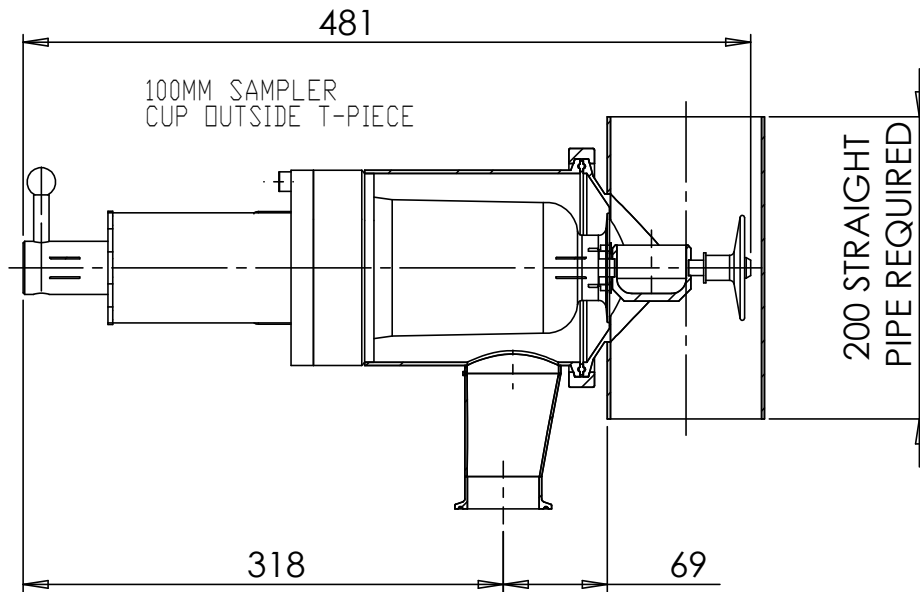
www.qclabequipment.com

WHITE STONE VA 22578 TEL (866) 244-1578



ISOMETRIC VIEW SCALE 1:5

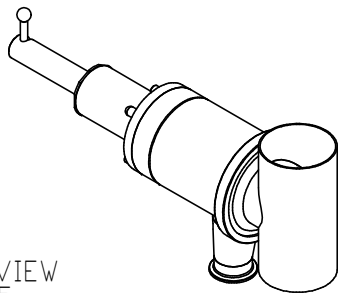
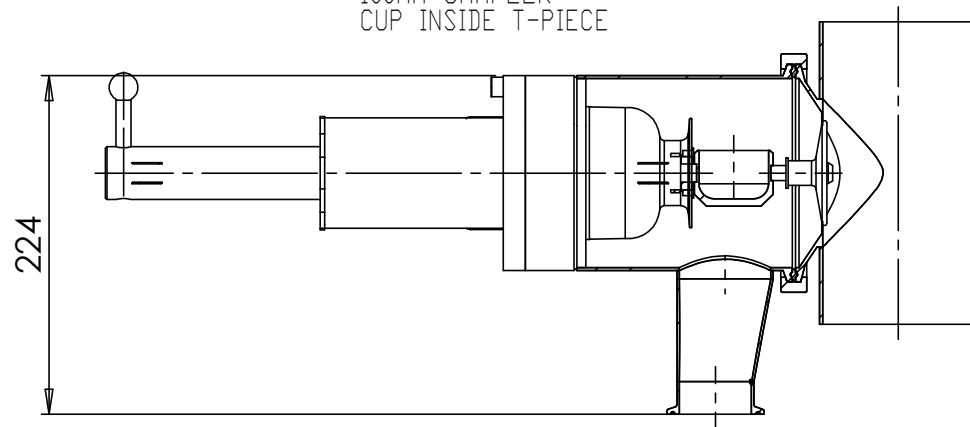




NOTE:

100MM SAMPLER SHOWS 86MM STROKE

100MM SAMPLER CUP INSIDE T-PIECE



ISOMETRIC VIEW
SCALE 1:5

PROPRIETARY AND CONFIDENTIAL THE INFORMATION CONTAINED IN THIS DRAWING IS THE SOLE PROPERTY OF SAMPLING SYSTEMS LTD. ANY REPRODUCTION IN PART OR AS A WHOLE WITHOUT THE WRITTEN PERMISSION OF SAMPLING SYSTEMS LTD IS PROHIBITED.			DIMENSIONS ARE IN MM. TOLERANCES: M/C PARTS +/- 0.2 FABRICATED PARTS: 0-300 TOL +/- 1.0 301-1000 TOL +/- 2.0 1001+ TOL +/- 3.0			NAME DATE		SAMPLING SYSTEMS LTD
MATERIAL N/A			DRAWN SCH 23/01/08		CHECKED		TITLE:	
FINISH N/A			SAMPLING SYSTEMS LIMITED 2 FORGE MILLS PARK STATION ROAD COLESHILL WARWICKSHIRE B46 1HT TEL +44 (0)1675 466992 FAX +44 (0) 1675 466994 www.samplingystems.co.uk info@sampling.co.uk		CUSTOMER SAMPLING SYSTEMS		FREEGLIDE FG-1000M	
DD NOT SCALE DRAWING			SIZE DWG. NO. A4 SS400176		REV. B			
2007 Sampling Systems Limited			SCALE:4:5		WEIGHT:		SHEET 1 OF 1	