

Silo Rocket Sampler

500ml Sampler from Depth

Bulk sampling is easy with the Silo Rocket. The Silo Sampler is ideal for sampling pharmaceuticals, cosmetics and food stuffs. The design allows rapid point sampling of powders and granules in silos, tankers, lorries and general bulk bins. To take a sample simply insert the sampler into your material and then rotate the handle to take the sample. After sampling remove the sampler.

The Silo Rocket is manufactured from high grade 316L stainless steel. The tip unscrews so that the sampler is easy to clean

The Silo Rocket has an extra wide handle to give sufficient leverage when sampling dense powders.

- Suitable for use with free flowing and cohesive powders
- Made from 316L stainless steel
- Available in different lengths
- Easy to clean
- Available from stock for fast delivery worldwide



Part No.	Handle Length	Nominal Volume	Material
675 1985A1000	1000mm	500ml	316L ss
675 1985A1500	1500mm	500ml	316L ss
675 1985A2000	2000mm	500ml	316L ss

QUOTE REQUEST ✓

ONLINE PRICING ✓

Rover Sampler

Bulk Sampling from Silos or Tankers

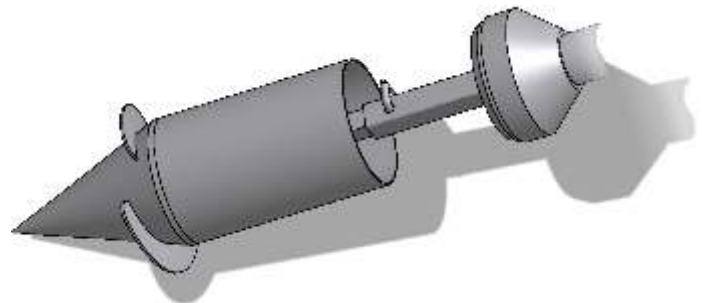


Sampling from road tankers and silos has always been very difficult, that was until the arrival of the Silo Rover.

- Heavy duty stainless steel construction
- Simple to operate
- 2m length
- Scroll end to aid insertion of sampler into dense powders or granules
- 1 litre sample volume
- Weight of empty sampler: 10kg



Control to open the sampler



Operation

- The Rover Sampler is quick and easy to operate.
- Work sampler into the powder or granules.
- Open chamber which will allow powder to flow in.
- Close chamber and remove sampler.



Stand to hold Sample Collecting Chamber

Part No.	Nominal Capacity	Diameter
675 1076A2000	1 liter	70mm
675 1076S1	Stand to hold Sample Collecting Chamber	

QUOTE REQUEST ✓
ONLINE PRICING ✓